

If you have questions or comments, contact us.
Pour toute question ou tout commentaire, nous contacter.
Si tiene dudas o comentarios, contáctenos.

1-800-4-DEWALT • www.dewalt.com

INSTRUCTION MANUAL
GUIDE D'UTILISATION
MANUAL DE INSTRUCCIONES

INSTRUCTIVO DE OPERACIÓN, CENTROS DE SERVICIO Y PÓLIZA
DE GARANTÍA. ADVERTENCIA: LEASE ESTE INSTRUCTIVO ANTES
DE USAR EL PRODUCTO.

DEWALT®

DW505, DW520
1/2" (13 mm) Heavy-Duty Dual Speed Range Hammerdrills
Marteau perforateur de 13 mm (1/2 po) à deux plages de vitesse, de service intensif
Taladro percutor de doble rango de velocidad de 13 mm (1/2") para trabajo pesado

DEWALT Industrial Tool Co., 701 Joppa Road, Baltimore, MD 21286
(MAR07) Form No. 651120-00 DW505, DW520
Copyright © 1997, 2002, 2004, 2006, 2007 DEWALT

The following are trademarks for one or more DEWALT power tools: the yellow and black color scheme; the "D" shaped air intake grill; the array of pyramids on the handgrip; the kit box configuration; and the array of lozenge-shaped humps on the surface of the tool.

Definitions: Safety Guidelines

The definitions below describe the level of severity for each signal word. Please read the manual and pay attention to these symbols.

▲ **DANGER:** Indicates an imminently hazardous situation which, if not avoided, will result in death or serious injury.

▲ **WARNING:** Indicates a potentially hazardous situation which, if not avoided, could result in death or serious injury.

▲ **CAUTION:** Indicates a potentially hazardous situation which, if not avoided, may result in minor or moderate injury.

CAUTION: Used without the safety alert symbol indicates a potentially hazardous situation which, if not avoided, may result in property damage.

IF YOU HAVE ANY QUESTIONS OR COMMENTS ABOUT THIS OR ANY DEWALT TOOL, CALL US TOLL FREE AT: 1-800-4-DEWALT (1-800-433-9258)

General Safety Rules

▲ **WARNING!** To reduce risk of injury, user must read instruction manual.

Failure to follow all instructions listed below may result in electric shock, fire and/or serious injury. The term "power tool" in all of the warnings listed below refers to your mains-operated (corded) power tool or battery-operated (cordless) power tool.

SAVE THESE INSTRUCTIONS

1) WORK AREA SAFETY

- Keep work area clean and well lit. Cluttered or dark areas invite accidents.
- Do not operate power tools in explosive atmospheres, such as in the presence of flammable liquids, gases or dust. Power tools create sparks which may ignite the dust or fumes.
- Keep children and bystanders away while operating a power tool. Distractions can cause you to lose control.

2) ELECTRICAL SAFETY

- Power tool plugs must match the outlet. Never modify the plug in any way. Do not use any adapter plugs with earthed (grounded) power tools. Unmodified plugs and matching outlets will reduce risk of electric shock.
- Avoid body contact with earthed or grounded surfaces such as pipes, radiators, ranges and refrigerators. There is an increased risk of electric shock if your body is earthed or grounded.
- Do not expose power tools to rain or wet conditions. Water entering a power tool will increase the risk of electric shock.
- Do not abuse the cord. Never use the cord for carrying, pulling or unplugging the power tool. Keep cord away from heat, oil, sharp edges or moving parts. Damaged or entangled cords increase the risk of electric shock. Have damaged cords repaired or replaced by an authorized service center. Use only 3-wire extension cords that have 3-prong grounding-type plugs and 3-pole receptacles that accept the tool's plug.
- When operating a power tool outdoors, use an extension cord suitable for outdoor use. Use of a cord suitable for outdoor use reduces the risk of electric shock. Make sure your extension cord is in good condition. When using an extension cord, be sure to use one heavy enough to carry the current your product will draw. An undersized cord will cause a drop in line voltage resulting in loss of power and overheating. The following table shows the correct size to use depending on cord length and nameplate ampere rating. If in doubt, use the next heavier gauge. The smaller the gauge number, the heavier the cord.

Ampere Rating		Minimum Gauge for Cord Sets				
		Volts	Total Length of Cord in Feet (meters)			
More Than	Not More Than	120V	25 (7.6)	50 (15.2)	100 (30.5)	150 (45.7)
		240V	50 (15.2)	100 (30.5)	200 (61.0)	300 (91.4)
		AWG				
0	6		18	16	16	14
6	10		18	16	14	12
10	12		16	16	14	12
12	16		14	12	Not Recommended	

3) PERSONAL SAFETY

- Stay alert, watch what you are doing and use common sense when operating a power tool. Do not use a power tool while you are tired or under the influence of drugs, alcohol or medication. A moment of inattention while operating power tools may result in serious personal injury.
- Use safety equipment. Always wear eye protection. Safety equipment such as dust mask, non-skid safety shoes, hard hat, or hearing protection used for appropriate conditions will reduce personal injuries.
- Avoid accidental starting. Ensure the switch is in the off-position before plugging in. Carrying power tools with your finger on the switch or plugging in power tools that have the switch on invites accidents.
- Remove any adjusting key or wrench before turning the power tool on. A wrench or a key left attached to a rotating part of the power tool may result in personal injury.
- Do not overreach. Keep proper footing and balance at all times. This enables better control of the power tool in unexpected situations.
- Dress properly. Do not wear loose clothing or jewellery. Keep your hair, clothing and gloves away from moving parts. Loose clothes, jewellery or long hair can be caught in moving parts. Air vents often cover moving parts and should also be avoided.
- If devices are provided for the connection of dust extraction and collection facilities, ensure these are connected and properly used. Use of these devices can reduce dust-related hazards.

4) POWER TOOL USE AND CARE

- Do not force the power tool. Use the correct power tool for your application. The correct power tool will do the job better and safer at the rate for which it was designed.
- Do not use the power tool if the switch does not turn it on and off. Any power tool that cannot be controlled with the switch is dangerous and must be repaired.
- Disconnect the plug from the power source and/or the battery pack from the power tool before making any adjustments, changing accessories, or storing power tools. Such preventive safety measures reduce the risk of starting the power tool accidentally.
- Store idle power tools out of the reach of children and do not allow persons unfamiliar with the power tool or these instructions to operate the power tool. Power tools are dangerous in the hands of untrained users.
- Maintain power tools. Check for misalignment or binding of moving parts, breakage of parts and any other condition that may affect the power tools operation. If damaged, have the power tool repaired before use. Many accidents are caused by poorly maintained power tools.
- Keep cutting tools sharp and clean. Properly maintained cutting tools with sharp cutting edges are less likely to bind and are easier to control.
- Use the power tool, accessories and tool bits etc., in accordance with these instructions and in the manner intended for the particular type of power tool, taking into account the working conditions and the work to be performed. Use of the power tool for operations different from those intended could result in a hazardous situation.

5) SERVICE

- Have your power tool serviced by a qualified repair person using only identical replacement parts. This will ensure that the safety of the power tool is maintained.

Additional Safety Rules for Hammerdrills

- Hold power tools by insulated gripping surfaces when performing an operation where the cutting tool may contact hidden wiring or its own cord. Contact with a "live" wire will make exposed metal parts of the tool "live" and shock the operator.

Be certain that the material being drilled does not conceal electric or gas service and that their locations have been verified with the utility companies.

- Wear ear protectors. Exposure to noise can cause hearing loss.
- Use auxiliary handles supplied with the tool. Loss of control can cause personal injury.

Keep a firm grip on the tool at all times. Do not attempt to operate this tool without holding it with both hands. Operating this tool with one hand will result in loss of control. Breaking through or encountering hard materials such as re-bar may be hazardous as well. Tighten the side handle securely before use.

- Use clamps or other practical way to secure and support the workpiece to a stable platform. Holding the work by hand or against your body is unstable and may lead to loss of control.
- Wear safety goggles or other eye protection. Hammering operations cause chips to fly. Flying particles can cause permanent eye damage. Wear a dust mask or respirator for applications that generate dust. Ear protection may be required for most applications.
- Keep a firm grip on the tool at all times. Do not attempt to operate this tool without holding it with both hands. Operating this tool with one hand will result in loss of control. Breaking through or encountering hard materials such as re-bar may be hazardous as well.
- Do not operate this tool for long periods of time. Vibration caused by hammer action may be harmful to your hands and arms. Use gloves to provide extra cushion and limit exposure by taking frequent rest periods.
- Do not recondition bits yourself. Chisel reconditioning should be done by an authorized specialist. Improperly reconditioned chisels could cause injury.
- Wear gloves when operating tool or changing bits. Accessible metal parts on the tool and bits may get extremely hot during operation. Small bits of broken material may damage bare hands.
- Never lay the tool down until the bit has come to a complete stop. Moving bits could cause injury.
- Do not strike jammed bits with a hammer to dislodge them. Fragments of metal or material chips could dislodge and cause injury.
- Keep the power cord away from the rotating bit. Do not wrap the cord around any part of your body. An electric cord wrapped around a spinning bit may cause personal injury and loss of control.

▲ **WARNING: ALWAYS** use safety glasses. Everyday eyeglasses are NOT safety glasses. Also use face or dust mask if cutting operation is dusty. ALWAYS WEAR CERTIFIED SAFETY EQUIPMENT:

- ANSI Z87.1 eye protection (CAN/CSA Z94.3),
- ANSI S12.6 (S3.19) hearing protection,
- NIOSH/OSHA/MSHA respiratory protection.

▲ **WARNING:** Some dust created by power sanding, sawing, grinding, drilling, and other construction activities contains chemicals known to cause cancer, birth defects or other reproductive harm. Some examples of these chemicals are:

- lead from lead-based paints,
- crystalline silica from bricks and cement and other masonry products, and
- arsenic and chromium from chemically-treated lumber.

Your risk from these exposures varies, depending on how often you do this type of work. To reduce your exposure to these chemicals: work in a well ventilated area, and work with approved safety equipment, such as those dust masks that are specially designed to filter out microscopic particles.

- Avoid prolonged contact with dust from power sanding, sawing, grinding, drilling, and other construction activities. Wear protective clothing and wash exposed areas with soap and water. Allowing dust to get into your mouth, eyes, or lay on the skin may promote absorption of harmful chemicals.

▲ **WARNING:** Use of this tool can generate and/or disburse dust, which may cause serious and permanent respiratory or other injury. Always use NIOSH/OSHA approved respiratory protection appropriate for the dust exposure. Direct particles away from face and body.

▲ **WARNING: Always use eye protection.** All users and bystanders must wear eye protection that conforms to ANSI Z87.1.

▲ **WARNING: Always wear proper personal hearing protection that conforms to ANSI S12.6 (S3.19) during use.** Under some conditions and duration of use, noise from this product may contribute to hearing loss.

- The label on your tool may include the following symbols. The symbols and their definitions are as follows:

V..... volts
 Hz..... hertz
 min minutes
 --- direct current
 Ⓛ Class I Construction (grounded)
 □ Class II Construction (double insulated)
 BPM beats per minute

A amperes
 W watts
 ~ alternating current
 n_o no load speed
 Ⓧ earthing terminal
 ⚠ safety alert symbol
 .../min revolutions or reciprocation per minute

COMPONENTS

⚠ WARNING: Never modify the power tool or any part of it. Damage or personal injury could result.

- | | |
|--------------------------|----------------|
| A. Trigger switch | F. Side handle |
| B. Locking button | G. Handle grip |
| C. Reversing lever | |
| D. Shift knob | |
| E. Hammer/drill selector | |

INTENDED USE

The DW505 and DW520 heavy-duty hammerdrills have been designed for professional drilling and hammerdrilling, screwdriving and light chipping, chiselling, demolition applications and for carbide-tipped core drilling at various work sites (i.e., construction sites). **DO NOT** use under humid conditions or in presence of flammable liquids or gases.

The DW505 and DW520 heavy-duty hammerdrills are professional power tools. **DO NOT** let children come into contact with the tool. Supervision is required for those under 16 years of age.

Side Handle (Fig. 1)

⚠ WARNING: To reduce the risk of personal injury, **ALWAYS** operate the tool with the side handle properly installed. Failure to do so may result in the side handle slipping during tool operation and subsequent loss of control. Hold tool with both hands to maximize control.

A side handle (F) is supplied with this hammerdrill. It clamps to the front of the gear case as shown in Figure 1 and can be rotated 360° for right- or left- hand use.

After the side handle is rotated into position, it should be pushed rearward until the slots (H) on the lip of the side handle are aligned and fully engaged with the projecting tabs (I) on the underside of the gear case. The side handle is then securely clamped by turning the handle grip (G) clockwise until tight.

Switch (Fig. 2)

To start hammerdrill, depress the trigger switch (A). To stop hammerdrill, release the trigger switch.

⚠ WARNING: Be sure to release the locking mechanism before disconnecting the plug from the power supply. Failure to do so will cause the hammerdrill to start immediately the next time it is plugged in. Damage or personal injury could result.

To lock the trigger switch in the ON position for continuous operation, depress the trigger switch and push up the locking button (B). The tool will continue to run. To turn the tool OFF, from a locked-on condition, squeeze and release the trigger once. Before using the tool (each time), be sure that the locking button release mechanism is working freely.

DO NOT lock the switch on when drilling by hand so that you can instantly release the trigger switch if the bit binds in the hole. The locking button is for use **ONLY** when the hammerdrill is mounted in a drill press stand or other wise held stationary.

VARIABLE SPEED

The variable speed trigger switch permits speed control. The farther the trigger switch is depressed, the higher the speed of the hammerdrill.

NOTE: Use lower speeds for starting holes without a centerpunch, drilling in metal, plastics or ceramics, or driving screws. Higher speeds are better for drilling in wood and composition board and for using abrasive and polishing accessories.

REVERSING LEVER

The reversing lever (C) is used to reverse the hammerdrill for backing out screws or jammed bits. It is located above the trigger, shown in Figure 2. To reverse the hammerdrill, turn it off and push the reversing lever to the left (when viewed from the chuck end).

To position the lever for forward operation, turn the hammerdrill off and push the lever to the right (when viewed from the chuck end).

High/Low Speed Operation (Fig. 1, 3)

The two speed gear drive in the dual range hammerdrill permits effective operation over an extended range of applications with greater selection of accessories.

For **LOW SPEED** operation, the shift knob (D) located on the underside of the hammerdrill should be rotated so the low speed setting is toward the front of the tool.

For **HIGH SPEED** operation, the shift knob (D) should be rotated so the high speed setting is toward the front of the tool.

The gear train has been designed for shifting only when the unit is off. It may be necessary however, to rotate the chuck slightly by hand to align the gears while turning the shift knob. **DO NOT ATTEMPT TO CHANGE SPEEDS** by turning the shift knob when the tool is running. Doing so will damage the gear train.

Hammer/Drill Selector (Fig. 4)

To switch the tool from the drilling mode to the hammering mode (or vice-versa) rotate the selector (E) to the applicable symbol as shown in Figure 4.

For **straight drilling**, align selector with drill bit symbol.

For **hammering**, align selector with the hammer symbol, as shown in the figure.

NOTE: The selector must be in either drill or hammer/drill mode at all times. There are no operable positions between the two.

Chuck

⚠ WARNING: Burn Hazard. **ALWAYS** wear gloves when changing bits. Accessible metal parts on the tool and bits may get extremely hot during operation. Small bits of broken material may damage bare hands.

To **insert the bit**, open chuck jaws by turning collar with fingers counterclockwise (when viewed from the chuck end) and insert shank of bit about 1/2" (13 mm) into chuck. Tighten chuck collar by hand. Place chuck key in each of the three holes and tighten in clockwise direction. It's important to tighten chuck with all three holes.

To **release the bit**, turn collar key counterclockwise in just one hole, then loosen the chuck by hand turning collar counterclockwise (when viewed from the chuck end).

OPERATION

Drilling

⚠ WARNING: To reduce the risk of serious personal injury, turn tool off and disconnect tool from power source before making any adjustments or removing/installing attachments or accessories.

⚠ WARNING: To reduce the risk of personal injury, **ALWAYS** ensure workpiece is anchored or clamped firmly. If drilling thin material, use a wood "back-up" block to prevent damage to the material.

- Use sharp drill bits only. For **WOOD**, use the low speed setting and twist drill bits, spade bits, power auger bits, or hole saws. For **METAL**, use the low speed setting and steel twist drill bits or hole saws. For **MASONRY**, such as brick, cement, cinder block, etc., use carbide-tipped bits rated for percussion drilling. Use low speed for bits greater than 3/8" (10 mm).
- Always apply pressure in a straight line with the bit. Use enough pressure to keep drill biting, but do not push hard enough to stall the motor or deflect the bit.
- Hold tool firmly with both hands to control the twisting action of the drill.
- IF DRILL STALLS**, it is usually because it is being overloaded or improperly used. **RELEASE TRIGGER IMMEDIATELY**, remove drill bit from work, and determine cause of stalling. **DO NOT CLICK TRIGGER ON AND OFF IN AN ATTEMPT TO START A STALLED DRILL — THIS CAN DAMAGE THE DRILL.**
- To minimize stalling or breaking through the material, reduce pressure on drill and ease the bit through the last fractional part of the hole.
- Keep the motor running when pulling the bit back out of a drilled hole. This will help prevent jamming.
- With variable speed drills there is no need to center punch the point to be drilled. Use a slow speed to start the hole and accelerate by squeezing the trigger harder when the hole is deep enough to drill without the bit skipping out.

FIG. 1

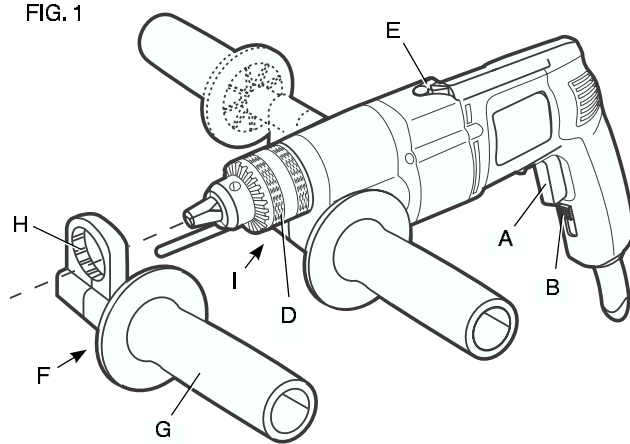


FIG. 2

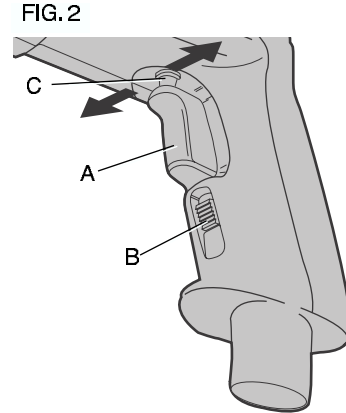
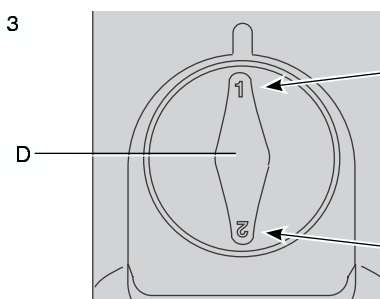


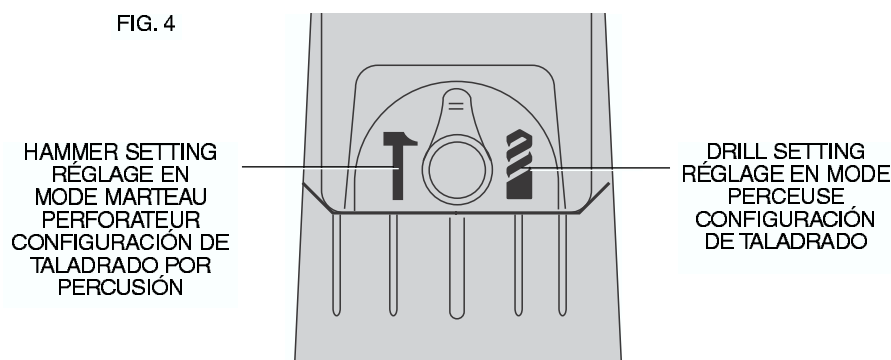
FIG. 3



LOW SPEED SETTING
 RÉGLAGE EN VITESSE
 LENTE
 CONFIGURACIÓN DE
 BAJA VELOCIDAD

HIGH SPEED SETTING
 RÉGLAGE EN
 HAUTE VITESSE
 CONFIGURACIÓN DE
 ALTA VELOCIDAD

FIG. 4



HAMMER SETTING
 RÉGLAGE EN
 MODE MARTEAU
 PERFORATEUR
 CONFIGURACIÓN DE
 TALADRADO POR
 PERCUSIÓN

DRILL SETTING
 RÉGLAGE EN MODE
 PERCEUSE
 CONFIGURACIÓN
 DE TALADRADO

DRILLING IN METAL

USE ONLY in the low-speed gear range. Start drilling with slow speed and increase to full power while applying firm pressure on the tool. A smooth even flow of metal chips indicates the proper drilling rate. Use a cutting lubricant when drilling metals. The exceptions are cast iron and brass which should be drilled dry.

NOTE: Large [5/16" (8 mm) to 1/2" (13 mm)] holes in steel can be made easier if a pilot hole [5/32" (4 mm) to 3/16" (5 mm)] is drilled first.

DRILLING IN WOOD

USE ONLY in the low-speed gear range. Start drilling with slow speed and increase to full power while applying firm pressure on the tool. Holes in wood can be made with the same twist drills used for metal. These bits may overheat unless pulled out frequently to clear chips from the flutes. Work that is apt to splinter should be backed up with a block of wood.

DRILLING IN MASONRY

When drilling in masonry, use carbide tipped bits rated for percussion drilling and be certain that the bit is sharp. For holes up to 3/8" (10 mm) diameter use the high-speed gear range. For holes larger than 3/8" (10 mm), use the low-speed gear range. Ensure that the hammer mode is selected. Use a constant and firm force on the tool to drill most effectively. A smooth, even flow of dust indicates the proper drilling rate.

Depth Rod

To adjust the depth rod, loosen the handle and move rod so that the distance between the end of the rod and the end of the bit equals the desired drilling depth. When drilling with depth rod, stop when end of rod reaches surface of material.

MAINTENANCE

⚠ WARNING: To reduce the risk of serious personal injury, turn tool off and disconnect tool from power source before making any adjustments or removing/installing attachments or accessories.

Cleaning

⚠ CAUTION: Never use solvents or other harsh chemicals for cleaning the non-metallic parts of the tool. These chemicals may weaken the plastic materials used in these parts. Use a cloth dampened only with water and mild soap. Never let any liquid get inside the tool; never immerse any part of the tool into a liquid.

Lubrication

Your tool was properly lubricated before leaving the factory. In from two to six months, depending upon use, take or send your tool to an authorized service center for a complete cleaning, inspection and lubrication. Tools used constantly on production jobs will need relubrication more often. Also, tools "out of service" for long periods should be relubricated before being put back to work.

Accessories

⚠ WARNING: Since accessories, other than those offered by DEWALT, have not been tested with this product, use of such accessories with this tool could be hazardous. To reduce the risk of injury, only DEWALT, recommended accessories should be used with this product.

Recommended accessories for use with your tool are available at extra cost from your local dealer or authorized service center. If you need assistance in locating any accessory, please contact DEWALT Industrial Tool Co., 701 East Joppa Road, Baltimore, MD 21286, call 1-800-4-DEWALT (1-800-433-9258) or visit our website www.dewalt.com.

MAXIMUM RECOMMENDED CAPACITIES

	DW505	DW520
CHUCK CAPACITY	1/2" (13 mm)	1/2" (13 mm)
R.P.M.	0-1,100 - 0-2,700	0-1,100 - 0-2,700
BITS, METAL DRILLING	1/2" (13 mm) low speed	1/2" (13 mm) low speed
WOOD, FLAT BORING	1-1/2" (40 mm) low speed	1-1/2" (40 mm) low speed
BITS, MASONRY DRILLING		
optimum	3/16 - 3/8" (5 - 10 mm)	3/16 - 7/16" (10 - 11 mm)
maximum	1/2" (13 mm)	3/4" (20 mm)

Repairs

To assure product **SAFETY** and **RELIABILITY**, repairs, maintenance and adjustments (including brush inspection and replacement) should be performed by a DEWALT factory service center, a DEWALT authorized service center or other qualified service personnel. Always use identical replacement parts.

Three Year Limited Warranty

DEWALT will repair, without charge, any defects due to faulty materials or workmanship for three years from the date of purchase. This warranty does not cover part failure due to normal wear or tool abuse. For further detail of warranty coverage and warranty repair information, visit www.dewalt.com or call 1-800-4-DEWALT (1-800-433-9258). This warranty does not apply to accessories or damage caused where repairs have been made or attempted by others. This warranty gives you specific legal rights and you may have other rights which vary in certain states or provinces.

In addition to the warranty, DEWALT tools are covered by our:

1 YEAR FREE SERVICE

DEWALT will maintain the tool and replace worn parts caused by normal use, for free, any time during the first year after purchase.

90 DAY MONEY BACK GUARANTEE

If you are not completely satisfied with the performance of your DEWALT Power Tool, Laser, or Nailer for any reason, you can return it within 90 days from the date of purchase with a receipt for a full refund – no questions asked.

LATIN AMERICA: This warranty does not apply to products sold in Latin America. For products sold in Latin America, see country specific warranty information contained either in the packaging, call the local company or see website for warranty information.

FREE WARNING LABEL REPLACEMENT: If your warning labels become illegible or are missing, call 1-800-4-DEWALT for a free replacement.



SPECIFICATIONS

	DW505	DW520
Voltage:	120 V AC~	120 V AC~
Ampere rating:	7,8 A	8,2 A
Frequency:	50-60 Hz	50-60 Hz
Watts:	650 W	850 W
Rotations per minute:	0-11 00 / 0-2700 rpm	0-1100 / 0-2700 rpm
Beats per minute:	0-19000 / 0-46000 bpm	0-19000 / 0-46000 bpm

Définitions : lignes directrices en matière de sécurité

Les définitions ci-dessous décrivent le niveau de danger pour chaque mot-indicateur employé. Veuillez lire le mode d'emploi et porter une attention particulière à ces symboles.

▲DANGER : indique une situation dangereuse imminente qui, si elle n'est pas évitée, causera la mort ou des blessures graves.

▲AVERTISSEMENT : indique une situation potentiellement dangereuse qui, si elle n'est pas évitée, pourrait se solder par un décès ou des blessures graves.

▲MISE EN GARDE : indique une situation potentiellement dangereuse qui, si elle n'est pas évitée pourrait se solder par des blessures mineures ou modérées.

MISE EN GARDE : utilisé sans le symbole d'alerte à la sécurité, indique une situation potentiellement dangereuse qui, si elle n'est pas évitée pourrait se solder par des dommages à la propriété.

SI VOUS AVEZ DES QUESTIONS OU VOULEZ NOUS FAIRE PART DE VOS COMMENTAIRES CONCERNANT CET OUTIL OU TOUT AUTRE OUTIL DEWALT, COMPOSEZ SANS FRAIS LE : 1 800 433-9258.

Règles générales de sécurité concernant les outils à piles

▲ AVERTISSEMENT ! Afin de réduire le risque de blessures, l'utilisateur doit lire le mode d'emploi

Négliger de suivre les directives suivantes peut entraîner des risques de chocs électriques, d'incendies et/ou de blessures graves. Le terme « outil électrique » dans tous les avertissements ci-après se rapporte à votre outil électrique à alimentation sur secteur (avec fil) ou par piles (sans fil).

CONSERVER CES DIRECTIVES

1) SÉCURITÉ DU LIEU DE TRAVAIL

- Tenir la zone de travail propre et bien éclairée.** Les lieux encombrés ou sombres sont propices aux accidents.
- Ne pas faire fonctionner d'outils électriques dans un milieu déflagrant, soit en présence de liquides, de gaz ou de poussières inflammables.** Les outils électriques produisent des étincelles qui peuvent enflammer la poussière ou les vapeurs.
- Éloigner les enfants et les personnes à proximité pendant l'utilisation d'un outil électrique.** Une distraction pourrait vous en faire perdre la maîtrise.

2) SÉCURITÉ EN MATIÈRE D'ÉLECTRICITÉ

- Les fiches des outils électriques doivent correspondre à la prise. Ne jamais modifier la fiche en aucune façon. Ne jamais utiliser de fiche d'adaptation avec un outil électrique mis à la terre.** Le risque de choc électrique sera réduit par l'utilisation de fiches non modifiées correspondant à la prise.
- Éviter tout contact physique avec des surfaces mises à la terre comme des tuyaux, des radiateurs, des cuisinières et des réfrigérateurs.** Le risque de choc électrique est plus élevé si votre corps est mis à la terre.
- Ne pas exposer les outils électriques à la pluie ou à l'humidité.** La pénétration de l'eau dans un outil électrique augmente le risque de choc électrique.
- Ne pas utiliser le cordon de façon abusive. Ne jamais utiliser le cordon pour transporter, tirer ou débrancher un outil électrique. Éloigner le cordon de la chaleur, de l'huile, des bords tranchants ou des pièces mobiles.** Les cordons endommagés ou enchevêtrés augmentent les risques de choc électrique. Confier la réparation ou le remplacement de cordons endommagés à un centre de réparation autorisé. Utiliser uniquement des rallonges à 3 fils pourvues d'une fiche de mise à la terre à 3 lames et une prise à 3 fentes correspondant à la fiche.
- Pour l'utilisation d'un outil électrique à l'extérieur, se servir d'une rallonge convenant à cet effet.** L'utilisation d'une rallonge conçue pour l'extérieur réduit les risques de choc électrique. S'assurer que la rallonge est en bon état. Lorsqu'une rallonge est utilisée, s'assurer d'en utiliser une de calibre suffisamment élevé pour assurer le transport du courant nécessaire au fonctionnement de l'appareil. Un cordon de calibre inférieur causera une chute de tension de ligne et donc une perte de puissance et une surchauffe. Le tableau suivant indique le calibre approprié à utiliser selon la longueur du cordon et l'intensité nominale de la plaque signalétique. En cas de doute, utiliser le calibre suivant le plus gros. Plus le numéro de calibre est petit, plus le cordon est lourd.

Calibre minimum pour rallonge		Longueur totale du cordon en mètres (en pieds)			
Intensité nominale	Volts	7,6 (25)	15,2 (50)	30,5 (100)	45,7 (150)
	240V	15,2 (50)	30,5 (50)	61,0 (200)	91,4 (300)
Plus de	Pas plus de	AWG			
0	6	5,5 (18)	4,9 (16)	4,9 (16)	4,3 (14)
6	10	5,5 (18)	4,9 (16)	4,3 (14)	3,7 (12)
10	12	4,9 (16)	4,9 (16)	4,3 (14)	3,7 (12)
12	16	4,3 (14)	3,7 (12)	Non recommandé	

3) SÉCURITÉ PERSONNELLE

- Être vigilant, surveiller le travail effectué et faire preuve de jugement lorsqu'un outil électrique est utilisé. Ne pas utiliser d'outil électrique en cas de fatigue ou sous l'influence de drogues, d'alcool ou de médicaments.** Un simple moment d'inattention en utilisant un outil électrique peut entraîner des blessures graves.

- Utiliser un équipement de sécurité. Toujours porter une protection oculaire.** L'utilisation d'un équipement de sécurité comme un masque anti-poussières, des chaussures antidérapantes, un casque de sécurité ou des protecteurs auditifs lorsque la situation le requiert réduira les risques de blessures corporelles.
- Éviter un démarrage accidentel. S'assurer que l'interrupteur se trouve à la position d'arrêt avant de brancher l'outil.** Transporter un outil électrique alors que le doigt repose sur l'interrupteur ou brancher un outil électrique dont l'interrupteur est à la position de marche risque de provoquer un accident.
- Retirer toute clé de réglage ou clé standard avant de démarrer l'outil.** Une clé standard ou une clé de réglage attachée à une partie pivotante de l'outil peut provoquer des blessures corporelles.
- Ne pas trop tendre les bras. Conserver son équilibre en tout temps.** Cela permet de mieux maîtriser l'outil électrique dans les situations imprévues.
- S'habiller de manière appropriée. Ne pas porter de vêtements amples ni de bijoux. Garder les cheveux, les vêtements et les gants à l'écart des pièces mobiles.** Vêtements amples, bijoux ou cheveux longs risquent de rester coincés dans ces pièces mobiles. Se tenir éloigné des événements puisque ces derniers recouvrent souvent des pièces en mouvement.
- Si des composants sont fournis pour le raccordement de dispositifs de dépoussiérage et de ramassage, s'assurer que ceux-ci sont bien raccordés et utilisés.** L'utilisation de ces dispositifs peut réduire les risques engendrés par les poussières.

4) UTILISATION ET ENTRETIEN DES OUTILS ÉLECTRIQUES

- Ne pas forcer un outil électrique. Utiliser l'outil électrique approprié à l'application.** L'outil électrique approprié effectuera un meilleur travail, de façon plus sûre et à la vitesse pour laquelle il a été conçu.
- Ne pas utiliser un outil électrique dont l'interrupteur est défectueux.** Tout outil électrique dont l'interrupteur est défectueux est dangereux et doit être réparé.
- Débrancher la fiche du secteur et/ou du bloc-piles de l'outil électrique avant de faire tout réglage ou changement d'accessoire, ou avant de ranger ce dernier.** Ces mesures préventives réduisent les risques de démarrage accidentel de l'outil électrique.
- Ranger les outils électriques hors de la portée des enfants, et ne permettre à aucune personne n'étant pas familière avec un outil électrique ou son mode d'emploi d'utiliser ce dernier.** Les outils électriques deviennent dangereux entre les mains d'utilisateurs inexpérimentés.
- Entretien des outils électriques. Vérifier si les pièces mobiles sont mal alignées ou coincées, si des pièces sont brisées ou présentent toute autre condition susceptible de nuire au bon fonctionnement de l'outil électrique. En cas de dommage, faire réparer l'outil électrique avant toute nouvelle utilisation.** Beaucoup d'accidents sont causés par des outils électriques mal entretenus.
- S'assurer que les outils de coupe sont aiguisés et propres.** Les outils de coupe bien entretenus et affûtés sont moins susceptibles de se coincer et sont plus faciles à contrôler.
- Utiliser un outil électrique, ses accessoires, mèches, etc., conformément aux présentes directives et suivant la manière prévue pour ce type particulier d'outil électrique, en tenant compte des conditions de travail et du travail à effectuer.** L'utilisation d'un outil électrique pour toute opération autre que celle pour laquelle il a été conçu est dangereuse.

5) RÉPARATION

- Faire réparer l'outil électrique par un réparateur professionnel en n'utilisant que des pièces de rechange identiques.** Cela permettra de maintenir une utilisation sécuritaire de l'outil électrique.

Règles de sécurité supplémentaires pour les marteaux perforateurs

- Tenir l'outil par sa surface de prise isolée dans une situation où l'outil de coupe peut entrer en contact avec un câblage caché ou avec son propre cordon d'alimentation.** Tout contact avec un fil « sous tension » mettra « sous tension » les pièces métalliques exposées de l'outil et provoquera un choc électrique chez l'opérateur de l'outil.

S'assurer que le matériau percé ne cache pas de conduite électrique ou de gaz et que leur emplacement a été vérifié avec les entreprises de services publiques.

- Porter des protecteurs d'oreilles.** Une exposition au bruit peut entraîner une perte auditive.
- Utiliser les poignées auxiliaires fournies avec l'outil.** Une perte de maîtrise de l'outil peut entraîner des blessures corporelles.

Tenir fermement l'outil en tout temps. Ne pas utiliser l'outil sans le tenir des deux mains. Faire fonctionner cet outil d'une seule main risque de provoquer la perte de maîtrise de l'outil. Il peut aussi être dangereux de percer ou de tomber sur des matériaux durs comme une barre d'armature. Bien serrer la poignée latérale avant d'utiliser l'outil.

- Utiliser des brides de fixation ou tout autre dispositif de fixation permettant de soutenir et de retenir la pièce sur une plate-forme stable.** Tenir la pièce avec la main ou contre son corps est instable et risque de provoquer une perte de maîtrise de l'outil.
- Porter des lunettes de sécurité ou une autre protection oculaire.** Les opérations de percussion peuvent projeter des éclats. Les particules projetées peuvent endommager les yeux irréversiblement. Porter un masque antipoussières ou un appareil respiratoire. La plupart des applications peuvent demander l'utilisation d'un dispositif de protection des oreilles.
- Tenir fermement l'outil en tout temps. Ne pas utiliser l'outil sans le tenir des deux mains.** Faire fonctionner cet outil d'une seule main risque de provoquer la perte de maîtrise de l'outil. Il peut aussi être dangereux de percer ou de tomber sur des matériaux durs comme une barre d'armature.
- Ne pas faire fonctionner cet outil durant de longues périodes.** Les vibrations causées par la percussion du marteau peuvent être nuisibles pour vos mains et vos bras. Utiliser des gants pour amortir davantage les vibrations et limiter l'exposition à l'outil par de fréquentes périodes de repos.
- Ne pas remettre à neuf les mèches vous-même.** La remise à neuf du burin doit être réalisée par un spécialiste autorisé. Les burins mal remis à neuf peuvent causer des blessures.
- Porter des gants pour utiliser l'outil ou pour changer les mèches.** Les pièces métalliques accessibles de l'outil et les trépan peuvent devenir extrêmement chauds durant le fonctionnement de l'outil. De petits morceaux de matériau qui se détachent peuvent endommager les mains nues.
- Ne jamais déposer l'outil tant que la mèche ne s'est pas complètement arrêtée.** Les mèches mobiles peuvent provoquer des blessures.
- Ne pas frapper sur les mèches coincées avec un marteau pour les déloger.** Des fragments de métal ou des copeaux de matériau peuvent se déloger et causer des blessures.
- Éloigner le cordon d'alimentation de la mèche rotative. Ne pas enrouler le cordon autour de toute partie du corps.** Un cordon d'alimentation enroulé autour d'une mèche rotative risque de causer des blessures corporelles et une perte de maîtrise de l'outil.

▲ AVERTISSEMENT : TOUJOURS porter des lunettes de sécurité. Les lunettes de vue ne constituent PAS des lunettes de sécurité. Utiliser également un masque facial ou anti-poussière si l'opération de découpe génère de la poussière. TOUJOURS PORTER UN ÉQUIPEMENT DE PROTECTION HOMOLOGUE :

- protection oculaire conforme à la norme ANSI Z87.1 (CAN/CSA Z94.3),
- protection auditive conforme à la norme ANSI S12.6 (S3.19) et
- protection des voies respiratoires conformes aux normes NIOSH/OSHA/MSHA.

▲ AVERTISSEMENT : certaines poussières produites par les activités de ponçage, sciage, meulage, perçage et autres activités de construction peuvent contenir des produits chimiques pouvant causer le cancer, des anomalies congénitales ou d'autres problèmes liés aux fonctions reproductrices. Voici quelques exemples de ces produits chimiques :

- le plomb contenu dans les peintures à base de plomb;
- la silice cristalline de la brique, du ciment et d'autres produits de maçonnerie; et
- l'arsenic et chrome provenant de bois traité chimiquement.

Les risques reliés à l'exposition à ces poussières varient selon la fréquence à laquelle l'utilisateur travaille avec ce type de matériaux. Pour réduire votre exposition à ces produits chimiques : travailler dans un endroit bien ventilé et porter un équipement de sécurité approuvé comme un masque antipoussières conçu spécialement pour filtrer les particules microscopiques.

- Éviter le contact prolongé avec les poussières produites par les activités de ponçage, sciage, meulage, perçage et autres activités de construction. Porter des vêtements de protection et laver les parties du corps exposées avec une solution d'eau et de savon.** Laisser la poussière pénétrer dans la bouche, les yeux ou reposer sur la peau peut favoriser l'absorption de produits chimiques nocifs.

⚠ **AVERTISSEMENT** : l'utilisation de cet outil peut produire et/ou dégager des poussières qui risqueraient de causer des problèmes respiratoires graves et permanents ou d'autres problèmes médicaux. Toujours porter un appareil respiratoire approuvé par la NIOSH/OSHA pour se protéger de la poussière. Diriger les particules loin du visage et du corps.

⚠ **AVERTISSEMENT** : toujours utiliser une protection oculaire. Tous les utilisateurs et personnes à proximité doivent porter une protection oculaire conforme à la norme ANSI Z87.1.

⚠ **AVERTISSEMENT** : TOUJOURS porter une protection auditive appropriée conformément à la norme ANSI S12.6 (S3.19) lors de l'utilisation du produit. Dans certaines conditions et selon la durée d'utilisation, le bruit émis par ce produit peut contribuer à une perte auditive.

- L'étiquette apposée sur votre outil peut comprendre les symboles suivants. Les symboles et leurs définitions sont indiqués ci-après :

V.....volts	A.....ampères
Hz.....hertz	W.....watts
min.....minutes	~courant alternatif
==courant continu	novitesse à vide
ⓁConstruction de classe I (mis à la terre)	Ⓜborne de terre
ⓁConstruction de classe II (à double isolation)	⚠symbole d'alerte à la sécurité
BPM.....coups par minute	.../min.....rotations ou alternance par minute

COMPOSANTS

⚠ **AVERTISSEMENT** : ne jamais modifier l'outil électrique ou l'une de ses parties. Une telle pratique risque de provoquer des dommages matériels ou des blessures corporelles.

- Gâchette
- Bouton de verrouillage
- Levier inverseur
- Bouton de changement de rapport
- Sélecteur de modes marteau perforateur/perceuse
- Poignée latérale
- Prise ergonomique

UTILISATION PRÉVUE

Les marteaux perforateurs, modèles DW505 et DW520, de service intensif sont conçus pour le perçage et le perçage au marteau perforateur professionnels, le vissage et les applications légères de burinage, de gougeage et de démolition ainsi que le carottage avec trépan à pointes carburées à divers lieux de travail (p. ex., chantiers de construction). **NE PAS** utiliser sous des conditions humides ou en présence de liquides ou de gaz inflammables.

Les marteaux perforateurs, modèles DW505 et DW520, de service intensif, sont des outils électriques pour professionnels. **NE PAS** mettre les enfants en contact avec l'outil. Les utilisateurs de moins de 16 ans doivent être supervisés.

Poignée latérale (fig. 1)

⚠ **AVERTISSEMENT** : pour réduire le risque de blessures corporelles, **TOUJOURS** utiliser l'outil si la poignée latérale y est bien installée. Une mauvaise installation pourrait se solder par un glissement de la poignée latérale en cours de fonctionnement, puis une perte de maîtrise de l'outil. Tenir l'outil des deux mains pour obtenir une plus grande maîtrise de l'outil.

Le marteau perforateur est livré avec une poignée latérale (F). Elle se fixe à l'avant du carter d'engrenages comme il est illustré à la figure 1 et peut être tournée sur 360° pour une utilisation de la main droite ou gauche.

Une fois la poignée latérale dans la position souhaitée, l'enfoncer jusqu'à ce que les rainures (H) du rebord de la poignée latérale soient alignées et bien enclenchées dans les languettes (I) en saillie de la face inférieure du carter d'engrenages. Puis, tourner la prise ergonomique (G) dans le sens horaire jusqu'à ce qu'elle soit bien serrée. La poignée latérale est alors solidement fixée.

Gâchette (fig. 2)

Pour démarrer le marteau perforateur, enfoncer la gâchette (A). Pour l'arrêter, la relâcher.

⚠ **AVERTISSEMENT** : s'assurer de bien dégager le mécanisme de verrouillage avant de débrancher la fiche dans l'alimentation sur secteur. L'observation de cette mesure provoquera le démarrage immédiat du marteau perforateur dès le prochain branchement. Une telle pratique risque de provoquer des dommages matériels ou des blessures corporelles.

Pour bloquer la gâchette en position de marche pour un fonctionnement continu, enfoncer la gâchette et pousser le bouton de verrouillage (B) vers le haut. L'outil maintiendra son régime. Pour éteindre l'outil bloqué en mode continu, presser une fois et relâcher la gâchette. Avant la prochaine utilisation de l'outil (et ce à chaque utilisation), s'assurer que le mécanisme de dégagement du bouton de verrouillage se déplace librement.

NE PAS verrouiller la gâchette lors de perçage à la main de sorte qu'il soit possible de relâcher immédiatement la gâchette si la mèche se coince dans le trou. Utiliser **UNIQUEMENT** le bouton de verrouillage lorsque le marteau perforateur est fixe sur un socle de perceuse à colonne ou un autre dispositif de fixation.

VITESSE VARIABLE

La gâchette à vitesses variables offre la maîtrise de la vitesse. Plus on enfonce la gâchette, plus la vitesse du marteau perforateur augmente.

REMARQUE : utiliser les vitesses plus lentes pour débiter le perçage d'un trou sans pointe, percer le métal, les plastiques ou la céramique et visser. Les vitesses plus élevées sont mieux adaptées pour percer le bois et les planches de composé et pour l'utilisation d'accessoires pour le ponçage et le polissage.

LEVIER INVERSEUR

Le levier inverseur (C) du marteau perforateur s'utilise pour actionner la marche arrière de l'outil pour le retrait de vis ou de mèches coincées. Il est logé au dessus de la gâchette comme indiqué à la figure 2. Pour actionner la marche arrière du marteau perforateur, d'abord l'éteindre puis déplacer le levier inverseur vers la gauche (si on se place à l'extrémité du mandrin).

Pour revenir en mode de marche avant, éteindre le marteau perforateur et déplacer le levier inverseur vers la droite (si on se place à l'extrémité du mandrin).

Fonctionnement à vitesses élevée/lente (fig. 1, 3)

L'engrenage à deux vitesses du marteau perforateur à deux plages permet un fonctionnement efficace de l'outil dans une gamme étendue d'applications avec un plus grand choix d'accessoires.

Pour un fonctionnement à **VITESSE LENTE**, tourner le bouton de changement de rapport (D), logé sur la face inférieure du marteau perforateur, de sorte que le réglage de vitesse lente pointe vers l'avant de l'outil.

Pour un fonctionnement à **HAUTE VITESSE**, tourner le même bouton (D) de sorte que le réglage de vitesse élevée pointe vers l'avant de l'outil.

De par sa conception, le train d'engrenages change de vitesse que lorsque l'appareil est éteint. Toutefois, il sera peut-être nécessaire de tourner légèrement le mandrin à la main pour aligner les engrenages tout en tournant le bouton de changement de rapport. **NE PAS ESSAYER DE CHANGER DE VITESSES** en tournant le bouton de changement de rapport avec l'outil en marche. Une telle pratique endommagera le train d'engrenages.

Sélecteur de modes marteau perforateur/perceuse (fig. 4)

Pour passer du mode perceuse au mode marteau perforateur (et vice-versa), tourner le sélecteur (E) et le pointer sur le symbole applicable comme indiqué à la figure 4.

Pour un **perçage droit**, aligner le sélecteur avec le symbole de la mèche.

Pour la fonction de **marteau perforateur**, aligner le sélecteur avec le symbole du marteau perforateur comme indiqué à la figure.

REMARQUE : le sélecteur de mode doit se trouver en mode de perçage ou de perforateur en tout temps. Aucune autre fonction n'est offerte entre celles-ci.

Mandrin

⚠ **AVERTISSEMENT** : Risque de brûlure. **TOUJOURS** porter les gants lors de changements de mèches ou burins. Les pièces métalliques accessibles de l'outil et les trépan peuvent devenir extrêmement chauds durant le fonctionnement de l'outil. De petits morceaux de matériau qui se détachent peuvent endommager les mains nues.

Pour insérer une mèche, tourner la bague du mandrin à la main, en sens antihoraire (si on se place à l'extrémité du mandrin) pour ouvrir les mâchoires puis insérer la queue de la mèche dans le mandrin d'environ 13 mm (1/2 po). Puis serrer le mandrin à la main. Insérer la clé de mandrin dans les trois trous et serrer en sens horaire. Il est important de bien serrer les trois trous du mandrin.

Pour dégager une mèche, tourner la clé de la bague du mandrin en sens antihoraire dans un seul des trous puis desserrer le mandrin à la main en tournant la bague en sens horaire (si on se place à l'extrémité du mandrin).

FONCTIONNEMENT

Perçage

⚠ **AVERTISSEMENT** : Pour réduire le risque de blessures corporelles graves, éteindre l'outil et le débrancher avant d'effectuer tout réglage, d'enlever ou d'installer tout accessoires.

⚠ **AVERTISSEMENT** : pour réduire le risque de blessures corporelles, **TOUJOURS** s'assurer que la pièce soit ancrée ou fixée fermement. En cas de perçage dans un matériau fin, utiliser un bloc en bois pour éviter tout dommage au matériau.

- N'utiliser que des mèches bien aiguisées. Pour le BOIS, utiliser la vitesse lente et des forets hélicoïdaux, à trois pointes, à bois pour outil électrique ou des scies-cloches. Pour le MÉTAL, utiliser la vitesse lente et des forets hélicoïdaux en acier ou des scies-cloches. Pour la MAÇONNERIE, par exemple les briques, le ciment, les blocs de béton, etc., utiliser des mèches à pointe carburée pour perçage à percussion. Utiliser la vitesse lente pour les mèches de plus de 10 mm (3/8 po).
- Toujours exercer une pression en ligne droite par rapport à la mèche. Exercer suffisamment de pression pour faire mordre la mèche mais ne pas trop appuyer pour éviter de bloquer le moteur ou de faire dévier la mèche.
- Tenir l'outil fermement des deux mains pour contrôler la torsion de la perceuse.
- SI LA PERCEUSE SE BLOQUE**, le problème est généralement attribuable à une surcharge ou une mauvaise utilisation. **RELÂCHER IMMÉDIATEMENT LA GÂCHETTE**, retirer la mèche du trou percé et déterminer la cause du blocage. **NE PAS APPUYER DE FAÇON RÉPÉTÉE SUR LA GÂCHETTE POUR TENTER DE DÉMARRER UNE PERCEUSE BLOQUÉE CAR CETTE PRATIQUE PEUT ENDOMMAGER L'OUTIL.**
- Pour éviter les blocages ou un bris lorsque vous effectuez un perçage, réduire la pression sur la perceuse et percer en douceur la dernière partie du trou.
- Faire tourner la perceuse pour retirer la mèche du trou percé. Cette pratique empêche la mèche de se coincer.
- Les perceuses à régime variable n'ont pas besoin d'un pointeau pour amorcer le trou. Utiliser une vitesse lente pour commencer le trou et accélérer en appuyant davantage sur la gâchette lorsque le trou est assez profond pour percer sans que la mèche n'en déborde.

PERÇAGE DANS LE MÉTAL

UTILISER UNIQUEMENT la plage de vitesse lente. Amorcer le trou à faible vitesse puis passer à plein régime tout en appuyant fermement sur l'outil. Une évacuation continue et régulière de copeaux métalliques indique que la vitesse de perçage est adéquate. Utiliser un lubrifiant de coupe pour percer les métaux. Seuls la fonte et le laiton doivent être percés à sec.

REMARQUE : le perçage de grands trous [8 à 13 mm (5/16 à 1/2 po)] dans l'acier sera facilité si on perce d'abord un avant-trou [4 à 5 mm (5/32 à 3/16 po)].

PERÇAGE DANS LE BOIS

UTILISER UNIQUEMENT la plage de vitesse lente. Amorcer le trou à faible vitesse puis passer à plein régime tout en appuyant fermement sur l'outil. Il est possible d'utiliser les mêmes forets hélicoïdaux qui percent le métal. Ces forets peuvent surchauffer s'ils ne sont pas fréquemment retirés pour nettoyer les cannelures. Les pièces susceptibles de provoquer des éclats de bois devraient être soutenues avec un bloc de bois.

PERÇAGE DANS LA MAÇONNERIE

Pour le perçage de la maçonnerie, utiliser des mèches à pointes carburées prévues pour une utilisation avec un marteau perforateur et s'assurer que la mèche soit bien affûtée. Pour les trous jusqu'à concurrence de 10 mm (3/8 po) de diamètre, utiliser la plage de haute vitesse. Pour ceux de plus de 10 mm (3/8 po) de diamètre, utiliser la plage de vitesse lente. S'assurer que le mode marteau est sélectionné. Utiliser une force ferme et constante sur l'outil pour un perçage plus efficace. Une évacuation continue de poussière indique que votre vitesse de perçage est adéquate.

Tige de réglage de profondeur

Pour régler la tige de réglage de profondeur, desserrer la poignée puis déplacer la tige de manière à ce que la distance séparant son extrémité et l'extrémité de la mèche corresponde à la profondeur de perçage recherchée. Pour le perçage avec une tige de réglage de profondeur, arrêter l'outil lorsque l'extrémité de la tige atteint la surface du matériau.

ENTRETIEN

⚠ **AVERTISSEMENT** : Pour réduire le risque de blessures corporelles graves, éteindre l'outil et le débrancher avant d'effectuer tout réglage, d'enlever ou d'installer tout accessoires.

Nettoyage

⚠ **AVERTISSEMENT**: ne jamais utiliser de solvants ni d'autres produits chimiques puissants pour nettoyer les pièces non métalliques de l'outil. Ces produits chimiques peuvent affaiblir les matériaux de plastique utilisés dans ces pièces. Utiliser un chiffon humecté uniquement d'eau et de savon doux. Ne jamais laisser de liquide pénétrer dans l'outil et n'immerger aucune partie de l'outil dans un liquide.

Lubrification

L'outil a été parfaitement lubrifié avant de quitter l'usine. Dans deux à six mois, selon l'utilisation, amener ou envoyer l'outil à un centre de réparation autorisé pour un nettoyage, une inspection et une lubrification totale. Les outils utilisés constamment pour des travaux doivent être lubrifiés plus fréquemment. De plus, les outils « inutilisés » pendant une longue période doivent être lubrifiés de nouveau avant d'être réutilisés.

Accessoires

⚠ **AVERTISSEMENT** : puisque les accessoires autres que ceux offerts par DEWALT n'ont pas été testés avec ce produit, leur utilisation pourrait s'avérer dangereuse. Pour réduire le risque de blessures, utiliser exclusivement les accessoires DEWALT recommandés avec ce produit.

Les accessoires recommandés pour utilisation avec l'outil sont disponibles, à un coût supplémentaire, auprès du distributeur ou du centre de réparation autorisé de votre région. Pour toute demande d'assistance pour trouver un accessoire, veuillez contacter DEWALT Industrial Tool Co., 701 East Joppa Road, Baltimore, MD 21286, États-Unis, composer le 1-800-4-DEWALT (1-800-433-9258) ou visiter notre site Web à www.dewalt.com.

	CAPACITÉS MAXIMALES RECOMMANDÉES	
	DW505	DW520
MANDRIN	13 mm (1/2")	13 mm (1/2")
TR/MIN	0–1,100 – 0–2,700	0-1,100 – 0-2,700
MÈCHES, PERÇAGE MÉTALLIQUE	13 mm (1/2") Vitesse lente	13 mm (1/2") Vitesse lente
BOIS, FORETS À BOIS PLATS	40 mm (1-1/2") Vitesse lente	40 mm (1-1/2") Vitesse lente
MÈCHES, PERÇAGE DE MAÇONNERIE		
optimale	5 - 10 mm (3/16 - 3/8")	10 - 11 mm (3/16 - 7/16")
maximale	13 mm (1/2")	20 mm (3/4")

Réparations

Pour assurer la SÉCURITÉ et la FIABILITÉ du produit, les réparations, l'entretien et les réglages (y compris l'inspection et le remplacement de la brosse) doivent être réalisés par un centre de réparation en usine DEWALT, un centre de réparation autorisé DEWALT ou par un personnel de réparation professionnel. Toujours utiliser des pièces de rechange identiques.

Garantie limitée trois ans

DEWALT réparera gratuitement tous les problèmes dus à des défauts de matériau ou de fabrication pendant trois ans à compter de la date d'achat. Cette garantie ne couvre pas des défaillances de pièce dues à une usure normale ou à une mauvaise utilisation de l'outil. Pour plus de détails relatifs à la couverture de la garantie et aux réparations sous garantie, visiter le site Web www.dewalt.com ou composer le 1 (800) 4-DEWALT (1 (800) 433-9258). Cette garantie ne s'applique pas aux accessoires ni aux dommages causés par des réparations réalisées ou tentées par des tiers. Cette garantie vous accorde des droits légaux spécifiques et il est possible que vous ayez d'autres droits qui varient d'un État ou d'une province à l'autre.

En plus de la garantie, les outils DEWALT sont couverts par notre :

SERVICE D'ENTRETIEN GRATUIT DE 1 AN

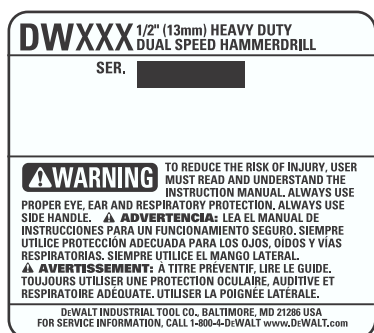
DEWALT entretiendra l'outil et remplacera les pièces usées par une utilisation normale et ce, gratuitement, à tout instant pendant la première année à compter de la date d'achat.

GARANTIE DE REMBOURSEMENT DE 90 JOURS

Si vous n'êtes pas entièrement satisfait des performances de votre outil électrique, laser ou de votre cloueuse DEWALT pour quelque raison que ce soit, vous pouvez le retourner accompagné d'un reçu dans les 90 jours suivant la date d'achat et nous vous rembourserons entièrement – sans poser de questions.

AMÉRICA LATINA : esta garantía no se aplica a los productos vendidos en América Latina. Para estos, consulte las informaciones relativas a la garantía específica presente en el empaque, llame a la empresa local o consulte el sitio Web para las informaciones relativas a esta garantía.

REEMPLAZAMIENTO GRATUITO DE ETIQUETAS DE AVERTISMIENTO : si las etiquetas de advertencia se vuelven ilegibles o faltan, llame al 1 (800) 4-DEWALT para obtener el reemplazo gratuito.



CARACTERÍSTICAS

	DW505	DW520
Volts :	120 V AC ~	120 V AC ~
Ampères :	7,8 A	8,2 A
Frecuencia :	50-60 Hz	50-60 Hz
Watts :	650 W	850 W
Rotaciones por minuto :	0-1 1 00 / 0-2 700 rpm	0-1 100 / 0-2 700 rpm
Copos por minuto :	0-19 000 / 0-46 000 cpm	0-19 000 / 0-46 000 cpm

Definiciones: Normas de seguridad

Las siguientes definiciones describen el nivel de gravedad de cada palabra de señal. Lea el manual y preste atención a estos símbolos.

▲ PELIGRO: indica una situación de peligro inminente que, si no se evita, provocará la muerte o lesiones graves.

▲ ADVERTENCIA: indica una situación de peligro potencial que, si no se evita, podría provocar la muerte o lesiones graves.

▲ PRECAUCIÓN: indica una situación de peligro potencial que, si no se evita, posiblemente provocará lesiones leves o moderadas.

PRECAUCIÓN: cuando se utiliza sin el símbolo de alerta de seguridad indica una situación de peligro potencial que, si no se evita, puede provocar daños en la propiedad.

Reglas de seguridad generales

▲ Para reducir el riesgo de lesiones, el usuario debe leer el manual de instrucciones.

El incumplimiento de todas las instrucciones enumeradas a continuación puede provocar una descarga eléctrica, un incendio o lesiones graves. El término "herramienta eléctrica" incluido en todas las advertencias enumeradas a continuación hace referencia a su herramienta eléctrica operada con corriente (cable eléctrico) o a su herramienta eléctrica operada con baterías (inalámbrica).

CONSERVE ESTAS INSTRUCCIONES

1) SEGURIDAD EN EL ÁREA DE TRABAJO

- Mantenga el área de trabajo limpia y bien iluminada. Las áreas abarrotadas y oscuras propician accidentes.
- No opere las herramientas eléctricas en atmósferas explosivas, como ambientes donde haya polvo, gases o líquidos inflamables. Las herramientas eléctricas originan chispas que pueden encender el polvo o los vapores.
- Mantenga alejados a los niños y a los espectadores de la herramienta eléctrica en funcionamiento. Las distracciones pueden provocar la pérdida de control.

2) SEGURIDAD ELÉCTRICA

- Los enchufes de la herramienta eléctrica deben adaptarse al tomacorriente. Nunca modifique el enchufe de ninguna manera. No utilice ningún enchufe adaptador con herramientas eléctricas con conexión a tierra. Los enchufes no modificados y que se adaptan a los tomacorrientes reducirán el riesgo de descarga eléctrica.
- Evite el contacto corporal con superficies con descargas a tierra tales como tuberías, radiadores, estufas y refrigeradores. Existe mayor riesgo de descarga eléctrica si su cuerpo está puesto a tierra.
- No exponga las herramientas eléctricas a la lluvia o a condiciones de humedad. Si le entra agua a la herramienta eléctrica, aumentará el riesgo de descarga eléctrica.
- No use el cable indebidamente. Nunca utilice el cable para transportar, tirar o desenchufar la herramienta eléctrica. Mantenga el cable alejado del calor, el aceite, los bordes filosos o las piezas móviles. Los cables dañados o enredados aumentan el riesgo de descarga eléctrica. Los cables dañados deben ser reparados o reemplazados en un centro de mantenimiento autorizado. Use solamente cables prolongadores de 3 conductores que tengan enchufes a tierra de 3 patas y receptáculos tripolares que se adapten al enchufe de la herramienta.
- Al operar una herramienta eléctrica en el exterior, utilice un cable prolongador adecuado para tal uso. Utilice un cable adecuado para uso en exteriores a fin de reducir el riesgo de descarga eléctrica. Asegúrese de que el cable prolongador esté en buenas condiciones. Cuando utilice un cable prolongador, asegúrese de que tenga la capacidad para conducir la corriente que su producto exige. Un cable de menor capacidad provocará una disminución en el voltaje de la línea, lo cual producirá una pérdida de potencia y sobrecalentamiento. La siguiente tabla muestra la medida correcta que debe utilizar según la longitud del cable y la capacidad nominal en amperios indicada en la placa. En caso de duda, utilice el calibre inmediatamente superior. Cuanto menor sea el número de calibre, más grueso será el cable.

Calibre mínimo para juegos de cables						
Capacidad nominal en amperios	Voltios		Largo total del cable en metros (en pies)			
	120V	240V	7,6 (25)	15,2 (50)	30,5 (100)	45,7 (150)
	240V		15,2 (50)	30,5 (100)	61,0 (200)	91,4 (300)
Desde	Hasta	AWG				
0	6	18	16	16	14	
6	10	18	16	14	12	
10	12	16	16	14	12	
12	16	14	12	No recomendado		

3) SEGURIDAD PERSONAL

- Permanezca alerta, controle lo que está haciendo y utilice el sentido común cuando emplee una herramienta eléctrica. No utilice una herramienta eléctrica si está cansado o bajo el efecto de drogas, alcohol o medicamentos. Un momento de descuido mientras se opera una herramienta eléctrica puede provocar daños personales graves.
- Use equipo de seguridad. Siempre utilice protección para los ojos. El uso del equipo de seguridad, como las máscaras para polvo, el calzado de seguridad antideslizante, los cascos o la protección auditiva, en las condiciones adecuadas reducirá las lesiones personales.
- Evite el encendido accidental. Asegúrese de que el interruptor esté en la posición de apagado antes de enchufar la herramienta. Transportar herramientas eléctricas con su dedo apoyado sobre el interruptor o enchufar herramientas eléctricas con el interruptor en la posición de encendido puede propiciar accidentes.

- Retire la clavija de ajuste o la llave de tuercas antes de encender la herramienta eléctrica. Una llave de tuercas o una clavija de ajuste que quede conectada a una pieza giratoria de la herramienta eléctrica puede provocar lesiones personales.
- No se estire. Conserve el equilibrio y párese adecuadamente en todo momento. Esto permite un mejor control de la herramienta eléctrica en situaciones inesperadas.
- Use la vestimenta adecuada. No use ropas holgadas ni joyas. Mantenga el cabello, la ropa y los guantes alejados de las piezas en movimiento. Las ropas holgadas, las joyas o el cabello largo pueden quedar atrapados en las piezas en movimiento. Los orificios de ventilación suelen cubrir piezas en movimiento, por lo que también se deben evitar.
- Si se suministran dispositivos para la conexión de accesorios con fines de recolección y extracción de polvo, asegúrese de que estén conectados y que se utilicen correctamente. El uso de estos dispositivos puede reducir los peligros relacionados con el polvo.

4) USO Y CUIDADO DE LA MÁQUINA HERRAMIENTA

- No fuerce la herramienta eléctrica. Utilice la herramienta eléctrica correcta para el trabajo que realizará. Si se la utiliza a la velocidad para la que fue diseñada, la herramienta eléctrica correcta permite trabajar mejor y de manera más segura.
- No utilice la herramienta eléctrica si no puede encenderla o apagarla con el interruptor. Toda herramienta eléctrica que no pueda ser controlada mediante el interruptor es peligrosa y debe repararse.
- Desconecte el enchufe de la fuente de energía y/o el paquete de batería de la herramienta eléctrica antes de realizar ajustes, cambiar accesorios o almacenar herramientas eléctricas. Estas medidas de seguridad preventivas reducen el riesgo de encender la herramienta eléctrica en forma accidental.
- Guarde la herramienta eléctrica que no esté en uso fuera del alcance de los niños y no permita que otras personas no familiarizadas con ella o con estas instrucciones operen la herramienta. Las herramientas eléctricas son peligrosas si son operadas por usuarios no capacitados.
- Realice el mantenimiento de las herramientas eléctricas. Revise que no haya piezas en movimiento mal alineadas o trabadas, piezas rotas o cualquier otra situación que pueda afectar el funcionamiento de las herramientas eléctricas. Si encuentra daños, haga reparar la herramienta eléctrica antes de utilizarla. Se producen muchos accidentes a causa de las herramientas eléctricas que carecen de un mantenimiento adecuado.
- Mantenga las herramientas de corte afiladas y limpias. Las herramientas de corte con mantenimiento adecuado y con los bordes de corte afilados son menos propensas a trabarse y son más fáciles de controlar.
- Utilice la herramienta eléctrica, los accesorios y las brocas de la herramienta, etc. de acuerdo con estas instrucciones y de la forma prevista para el tipo de herramienta eléctrica en particular, teniendo en cuenta las condiciones de trabajo y el trabajo que debe realizarse. El uso de la herramienta eléctrica para operaciones diferentes de aquéllas para las que fue diseñada podría originar una situación peligrosa.

5) MANTENIMIENTO

- Solicite a una persona calificada en reparaciones que realice el mantenimiento de su herramienta eléctrica y utilice sólo piezas de repuesto idénticas. Esto garantizará la seguridad de la herramienta eléctrica.

Normas de seguridad adicionales para taladros percutores

- Sostenga la herramienta por las superficies de agarre aisladas cuando realice una operación en la que la herramienta de corte pueda tocar cables eléctricos ocultos o el cable de ésta. El contacto con un cable con corriente eléctrica hará que las partes expuestas de la herramienta tengan corriente y que el operador reciba una descarga eléctrica.

Asegúrese de que el material por taladrar no contenga cableados o tuberías de gas ocultos, cuyas ubicaciones deben haber sido constatadas con las empresas de servicios públicos correspondientes.

- Use protectores auditivos. La exposición al ruido puede ocasionar la pérdida de la audición.
- Use los mangos auxiliares que se suministran con la herramienta. La pérdida del control podría ocasionar lesiones personales.

Sujete la herramienta firmemente en todo momento. No intente hacer funcionar esta herramienta sin sostenerla con ambas manos. Si intenta hacerla funcionar con una sola mano, podría perder el control de la herramienta. También podría ser peligroso perforar o encontrar materiales duros, como barras de refuerzo. Ajuste firmemente el mango lateral antes de utilizar la herramienta.

- Utilice abrazaderas u otra forma práctica para asegurar y sostener la pieza de trabajo en una plataforma estable. Sostener el trabajo con la mano o contra el cuerpo no brinda la estabilidad requerida y puede llevar a la pérdida del control.
- Use lentes de seguridad u otra protección similar para los ojos. Al martillar se producen astillas. Las partículas volátiles pueden provocar lesiones oculares permanentes. Utilice una máscara para polvo o una mascarilla de respiración en aplicaciones que generen polvo. La mayoría de las aplicaciones pueden requerir protección auditiva.
- Sujete la herramienta firmemente en todo momento. No intente hacer funcionar esta herramienta sin sostenerla con ambas manos. Si intenta hacerla funcionar con una sola mano, podría perder el control de la herramienta. También podría ser peligroso perforar o encontrar materiales duros, como barras de refuerzo.
- No haga funcionar esta herramienta durante periodos prolongados. La vibración que produce la acción de percusión puede ser perjudicial para las manos y los brazos. Use guantes que provean amortiguación extra y limite la exposición tomando descansos frecuentes.
- No reacondicione las brocas usted mismo. El reacondicionamiento del cincel debe ser realizado por un especialista autorizado. Los cinceles reacondicionados de manera incorrecta pueden provocar lesiones.
- Use guantes cuando utilice la herramienta o cambie las brocas. Mientras la herramienta se encuentra en funcionamiento, las piezas metálicas accesibles de la misma y las brocas pueden sobrecalentarse. Los trozos pequeños de material roto pueden dañar las manos sin guantes.
- Nunca apoye la herramienta hasta que la broca se haya detenido completamente. Las brocas en movimiento podrían provocar lesiones.
- No golpee las brocas atascadas con un martillo para desatascarlas. Pueden desprenderse fragmentos de metal o astillas del material que podrían causar lesiones.
- Mantenga el cable eléctrico alejado de la broca giratoria. No enrosque el cable alrededor de ninguna parte del cuerpo. Un cable eléctrico enroscado alrededor de una broca giratoria puede provocar lesiones personales y pérdida del control.

▲ ADVERTENCIA: Use SIEMPRE lentes de seguridad. Los anteojos de uso diario NO son lentes de seguridad. Utilice también máscaras faciales o para polvo si el corte produce polvillo. UTILICE SIEMPRE EQUIPOS DE SEGURIDAD CERTIFICADOS:

- protección para los ojos ANSI Z87.1 (CAN/CSA Z94.3),
- protección auditiva ANSI S12.6 (S3.19),
- protección respiratoria según las normas NIOSH/OSHAMSHA.

▲ ADVERTENCIA: Algunas partículas originadas al lijar, aserrar, amolar, taladrar y realizar otras actividades de construcción contienen productos químicos que producen cáncer, defectos de nacimiento y otros problemas reproductivos. Algunos ejemplos de estos productos químicos son:

- el plomo de las pinturas de base plomo,
- la sílice cristalina de ladrillos, cemento y otros productos de mampostería, y
- el arsénico y el cromo de la madera con tratamiento químico.

El riesgo derivado de estas exposiciones varía según la frecuencia con la que se realice este tipo de trabajo. Para reducir la exposición a estos productos químicos, se recomienda trabajar en áreas bien ventiladas y usar equipos de seguridad aprobados, como las máscaras para polvo especialmente diseñadas para filtrar las partículas microscópicas.

- Evite el contacto prolongado con las partículas de polvo originadas al lijar, aserrar, esmerilar, taladrar y realizar demás actividades de la construcción. Use indumentaria protectora y lave las áreas expuestas con agua y jabón. Evite que el polvo entre en la boca y en los ojos o se deposite en la piel, para impedir la absorción de productos químicos nocivos.

▲ ADVERTENCIA: El uso de esta herramienta puede generar o dispersar partículas de polvo, que pueden causar lesiones respiratorias permanentes y graves u otras lesiones. Use siempre protección respiratoria apropiada para la exposición al polvo aprobada por el Instituto Nacional de Salud y Seguridad Ocupacional de EE.UU. y la Administración de Salud y Seguridad Ocupacional de EE.UU. (NIOSH y OSHA respectivamente, por sus siglas en inglés). Aleje la cara y el cuerpo del contacto con las partículas.

▲ **ADVERTENCIA:** *Utilice siempre protección para los ojos. Todos los usuarios y espectadores deben utilizar protección para los ojos conforme con las normas ANSI Z87.1.*

▲ **ADVERTENCIA:** *Durante el uso, use siempre protección auditiva adecuada que cumpla con la norma ANSI S12.6 (S3.19). Bajo ciertas circunstancias y según el período de uso, el ruido producido por este producto puede contribuir a la pérdida de audición.*

- La etiqueta de su herramienta puede incluir los siguientes símbolos. Los símbolos y sus definiciones son los siguientes:

V..... voltios	A amperios
Hz..... hertz	W vatios
min minutos	~ corriente alterna
== corriente directa	n _o velocidad sin carga
Ⓛ Construcción Clase I (con conexión a tierra)	Ⓧ terminal a tierra
Ⓛ Construcción Clase II (con aislamiento doble)	▲ símbolo de alerta de seguridad
BPM..... golpes por minuto	.../min revoluciones o reciprocidad por minuto

COMPONENTES

▲ **ADVERTENCIA:** *Nunca modifique la herramienta eléctrica ni ninguna pieza de ésta. Puede ocasionar un daño o una lesión personal.*

- A. Interruptor disparador
- B. Botón de bloqueo
- C. Palanca de cambio de marcha
- D. Perilla de cambio de velocidad
- E. Selector de taladrado/taladrado por percusión
- F. Mango lateral
- G. Agarradera

USO PREVISTO

Los taladros percutores DW505 y DW520 para trabajo pesado están diseñados para aplicaciones profesionales de taladrado, taladrado por percusión, atornillado/destornillado, desbastado, cincelado y demolición y para taladrado con broca de corona y punta de carburo en distintos lugares de trabajo (es decir, lugares de construcción). **NO** use la herramienta en condiciones de humedad o en presencia de gases o líquidos inflamables.

Los taladros percutores DW505 y DW520 para trabajo pesado con herramientas eléctricas profesionales. **NO** permita que los niños tengan contacto con la herramienta. Supervise a los menores de 16 años que operen la herramienta.

Mango lateral (Fig. 1)

▲ **ADVERTENCIA:** *Para reducir el riesgo de lesiones personales, opere SIEMPRE la herramienta con el mango lateral montado correctamente. Si no lo hace, el mango lateral se le puede resbalar durante la operación de la herramienta y puede perder el control en consecuencia. Sostenga la herramienta con ambas manos para máximo control.*

Este taladro percutor viene con un mango lateral (F). El mango lateral se fija en el frente de la caja de engranajes, como se muestra en la Figura 1, y puede girarse 360° para utilizarlo tanto con la mano derecha como con la izquierda.

Después de que el mango lateral se gira y coloca en posición, se debe empujar hacia atrás hasta que las ranuras (H) en el borde del mango lateral estén alineadas y totalmente trabadas en las lengüetas de protección (I) que están en la parte inferior de la caja de engranajes. Para asegurar el mango lateral, se debe girar y ajustar la agarradera (G) en el sentido de las agujas del reloj hasta el final.

Interruptor (Fig. 2)

Para encender el taladro percutor, oprima el interruptor disparador (A). Para apagar el taladro percutor, libere el interruptor disparador.

▲ **ADVERTENCIA:** *Antes de desconectar el enchufe de la fuente de alimentación, asegúrese de liberar el mecanismo de bloqueo. De no hacerlo, la herramienta arrancará inmediatamente la próxima vez que se la enchufe. Puede ocasionar un daño o una lesión personal.*

Para trabar el interruptor disparador en la posición ON (de encendido) a fin de que funcione en forma continua, oprímalo y libere la palanca de bloqueo hacia arriba (B). La herramienta continuará en funcionamiento. Para apagar la herramienta cuando está en una posición de bloqueo, oprima y libere el interruptor una vez. Antes de usar la herramienta (cada vez), asegúrese de que el mecanismo de liberación del interruptor de bloqueo funcione correctamente.

Cuando taladre a mano, **NO TRABE** el interruptor disparador de modo que, si la broca se dobla en el orificio, pueda soltarlo de inmediato. El botón de bloqueo sólo se puede usar cuando el taladro percutor está montado en una base de prensa para taladro u otro accesorio de fijación adecuado.

VELOCIDAD VARIABLE

El interruptor disparador de velocidad variable permite controlar la velocidad. Cuanto más se oprime el disparador, mayor será la velocidad del taladro percutor.

NOTA: Para comenzar orificios sin marcar el centro con un punzón; taladrar en metal, plástico o cerámicos; o para colocar tornillos, use velocidades bajas. Las velocidades más altas son mejores para taladrar en madera y placas de composición y para usar accesorios abrasivos y de pulido.

PALANCA DE CAMBIO DE MARCHA

La palanca de cambio de marcha (C) se usa para cambiar la marcha del taladro percutor con el fin de quitar tornillos o brocas atascadas. La palanca de cambio de marcha está ubicada encima del disparador, según se muestra en la Figura 2. Para cambiar la marcha del taladro percutor, apáguelo y empuje la palanca de cambio de marcha hacia la izquierda (visto desde el extremo del portabrocas).

Para colocar la palanca en la posición de avance, apague el taladro percutor y empuje la palanca hacia la derecha (visto desde el extremo del portabrocas).

Funcionamiento con velocidad alta/baja (Fig. 1, 3)

La caja de engranajes de dos velocidades del taladro percutor de doble rango de velocidad permite trabajar en forma efectiva en una amplia variedad de aplicaciones con una mayor selección de accesorios.

Para operar a **BAJA VELOCIDAD**, se debe girar la perilla de cambio de velocidad (D) ubicada en la parte inferior del taladro percutor de modo que la configuración de baja velocidad esté hacia el frente de la herramienta.

Para operar a **ALTA VELOCIDAD**, se debe girar la perilla de cambio de velocidad (D) de modo que la configuración de alta velocidad esté hacia el frente de la herramienta.

El tren de engranajes está diseñado para cambiar la velocidad con la unidad apagada. No obstante, al girar la perilla de cambio de velocidad, puede ser necesario girar levemente el portabrocas en forma manual para alinear los engranajes. **NO INTENTE CAMBIAR DE VELOCIDAD** girando la perilla de cambio de velocidad con la herramienta en funcionamiento. Si lo hace, dañará el tren de engranajes.

Selector de taladrado/taladrado por percusión (Fig. 4)

Para cambiar la herramienta del modo de taladrado al modo de taladrado por percusión (o vice-versa), gire el selector (E) a los símbolos correspondientes, como se muestra en la Figura 4.

Para **taladrar**, alinee el selector con el símbolo de la broca.

Para **taladrar por percusión**, alinee el selector con el símbolo del taladro percutor, como se muestra en la figura.

NOTA: El selector debe estar en el modo de taladrado o de taladrado por percusión en todo momento. No hay otras posiciones de operación entre estas dos.

Portabrocas

▲ **ADVERTENCIA:** *Peligro de quemadura. SIEMPRE use guantes cuando cambie las brocas. Mientras la herramienta se encuentra en funcionamiento, las piezas metálicas accesibles de la misma y las brocas pueden sobrecalentarse. Los trozos pequeños de material roto pueden dañar las manos sin guantes.*

Para **insertar la broca**, gire el collar con los dedos en sentido contrario a las agujas del reloj a fin de abrir las mordazas del portabrocas (visto desde el extremo del portabrocas) e inserte el vástago de la broca aproximadamente 13 mm (1/2") en el portabrocas. Ajuste el anillo del portabrocas en forma manual. Coloque la llave para portabrocas en cada uno de los tres orificios y ajuste en el sentido de las agujas del reloj. Es importante ajustar el portabrocas con los tres orificios.

Para **liberar la broca**, gire la llave del collar en sentido contrario a las agujas del reloj en uno solo de los orificios y luego afloje el portabrocas manualmente y gire el collar en sentido contrario a las agujas del reloj (visto desde el extremo del portabrocas).

FUNCIONAMIENTO

Taladrado

▲ **ADVERTENCIA:** *Para reducir el riesgo de lesiones personales, apague la herramienta y desconéctela de la fuente de alimentación antes de realizar ajustes o de retirar/instalar cualquier dispositivo o accesorio.*

▲ **ADVERTENCIA:** *Para reducir el riesgo de lesiones personales, asegúrese SIEMPRE de sujetar o fijar firmemente la pieza de trabajo. Si va a taladrar un material delgado, utilice un bloque de madera “de respaldo” para evitar dañarlo.*

- Use solamente brocas para taladro afiladas. Para MADERA, use la configuración de baja velocidad y brocas helicoidales, brocas de pala, brocas salomónicas o sierras perforadoras. Para taladrar en METAL, use la configuración de baja velocidad y brocas helicoidales de acero rápido o sierras perforadoras. Para MAMPOSTERÍA, tal como ladrillos, cemento, bloques de hormigón, etc., utilice brocas con puntas de carburo indicadas para el taladrado por percusión. Para brocas mayores de 10 mm (3/8"), use baja velocidad.
- Aplique siempre presión en línea recta con la broca. Utilice la presión suficiente para mantener la broca funcionando, pero no tanta como para ahogar el motor o ladear la broca.
- Sostenga firmemente la herramienta con ambas manos para controlar la torsión del taladro.
- SI EL TALADRO SE ATASCA**, probablemente se deba a una sobrecarga o al uso inadecuado de la herramienta. **SUELTE EL DISPARADOR INMEDIATAMENTE**, retire la broca de la pieza de trabajo, y determine la causa del atascamiento. **NO OPRIMA EL DISPARADOR PARA INTENTAR DESTRARAR EL TALADRO – PODRÍA DAÑARLO.**
- Para minimizar los atascamientos o las roturas del material, reduzca la presión y deje ir suavemente la broca hacia el final del orificio.
- Mantenga el motor en funcionamiento cuando retire la broca de un orificio taladrado. Esto ayudará a prevenir atascamientos.
- Con los taladros de velocidad variable, no es necesario marcar con un punzón el centro del lugar que desea taladrar. Utilice una velocidad baja para producir el orificio y acelere oprimiendo el disparador más fuerte cuando el orificio sea lo suficientemente profundo para taladrar sin que la broca salte hacia afuera.

TALADRADO EN METAL

USE SOLAMENTE en el rango de engranajes de baja velocidad. Comience taladrando a baja velocidad y aumente a potencia completa mientras aplica presión firme en la herramienta. Un flujo uniforme y suave de astillas metálicas indica que se taladra a la velocidad adecuada. Utilice un lubricante de corte cuando taladre metales. Las excepciones son el bronce y el hierro fundido que deben taladrarse en seco.

NOTA: Los orificios grandes en acero, de 8 a 13 mm (5/16" a 1/2"), se pueden perforar más fácilmente si primero se perfora un orificio piloto de 4 a 5 mm (5/32" a 3/16").

TALADRADO EN MADERA

USE SOLAMENTE en el rango de engranajes de baja velocidad. Comience taladrando a baja velocidad y aumente a potencia completa mientras aplica presión firme en la herramienta. Los orificios en madera se pueden realizar con las mismas brocas helicoidales que se utilizan para el metal. Estas brocas pueden sobrecalentarse a menos que se retiren con frecuencia para limpiar las virutas de las ranuras. Las piezas de trabajo que pueden astillarse deben respaldarse con un bloque de madera.

TALADRADO EN MAMPOSTERÍA

Cuando taladre en mampostería, use brocas con puntas de carburo aptas para taladrado por percusión y asegúrese de que la punta esté afilada. Para orificios de hasta 10 mm (3/8") de diámetro, use el rango de engranajes de alta velocidad. Para orificios más grandes de 10 mm (3/8"), use el rango de engranajes de baja velocidad. Asegúrese de que esté seleccionado el modo de martillo. Aplique fuerza constante y firme en la herramienta para taladrar con mayor eficacia. Un flujo de virutas uniforme y suave indica que se taladra a la velocidad adecuada.

Varilla de profundidad

Para ajustar la varilla de profundidad, afloje el mango y mueva la varilla de manera tal que la distancia entre el extremo de la varilla y el extremo de la broca sea igual a la profundidad de perforación deseada. Cuando perforo con la varilla de profundidad, deténgase cuando el extremo de la varilla llegue a la superficie del material.

Mantenimiento

▲ **ADVERTENCIA:** *Para reducir el riesgo de lesiones personales, apague la herramienta y desconéctela de la fuente de alimentación antes de realizar ajustes o de retirar/instalar cualquier dispositivo o accesorio.*

Limpieza

▲ **PRECAUCIÓN:** *Nunca utilice solventes u otros químicos abrasivos para limpiar las piezas no metálicas de la herramienta. Estos productos químicos pueden debilitar los materiales plásticos utilizados en estas piezas. Utilice un paño humedecido sólo con agua y jabón neutro. Nunca permita que penetre líquido dentro de la herramienta ni sumerja ninguna de las piezas en un líquido..*

Lubricación

Su herramienta fue adecuadamente lubricada antes de salir de fábrica. Entre un período de dos a seis meses, dependiendo del uso, lleve o envíe su herramienta a un centro de mantenimiento autorizado para limpieza, inspección y lubricación completas. Las herramientas que se utilicen en forma constante para trabajos de producción necesitarán que se las lubrique más a menudo. Las herramientas "sin mantenimiento" durante períodos prolongados deben volver a lubricarse antes de ser utilizadas nuevamente.

Accesorios

▲ **ADVERTENCIA:** *Debido a que no se han probado con este producto otros accesorios que no sean los que ofrece DEWALT, el uso de dichos accesorios podría ser peligroso. Para reducir el riesgo de lesiones, con este producto deben usarse sólo los accesorios DEWALT recomendados.*

Los accesorios que se recomiendan para utilizar con la herramienta están disponibles a un costo adicional en su distribuidor local o en un centro de mantenimiento autorizado. Si necesita ayuda para localizar algún accesorio, póngase en contacto con DEWALT Industrial Tool Co., 701 East Joppa Road, Baltimore, MD 21286, llame al 1-800-4-DEWALT (1-800-433-9258) o visite nuestro sitio web www.dewalt.com.

	CAPACIDADES MÁXIMAS RECOMENDADAS	
	DW505	DW520
CAPACIDAD DEL PORTABROCAS	13 mm (1/2")	13 mm (1/2")
R.P.M.	0–1 100–0–2 700	0-1 100–0–2 700
BROCAS PARA TALADRADO EN METAL	13 mm (1/2") Baja velocidad	13 mm (1/2") Baja velocidad
BROCAS PLANAS PARA TALADRADO EN MADERA	40 mm (1-1/2") Baja velocidad	40 mm (1-1/2") Baja velocidad
BROCAS PARA TALADRADO EN MAMPOSTERÍA		
óptima	5 - 10 mm (3/16 - 3/8")	10 - 11 mm (3/16 - 7/16")
máxima	13 mm (1/2")	20 mm (3/4")

Reparaciones

Para garantizar la SEGURIDAD y la CONFIABILIDAD, las reparaciones, el mantenimiento y los ajustes (incluida la inspección y reemplazo de cepillos) deben ser realizados por un centro de mantenimiento de fábrica de DEWALT, un centro de mantenimiento DEWALT autorizado u otro personal de mantenimiento calificado. Utilice siempre piezas de repuesto idénticas.

PARA REPARACIÓN Y SERVICIO DE SUS HERRAMIENTAS ELÉCTRICAS, FAVOR DE DIRIGIRSE AL CENTRO DE SERVICIO MÁS CERCANO		
CULIACAN, SIN		
Av. Nicolás Bravo #1063 Sur - Col. Industrial Bravo		(667) 7 12 42 11
GUADALAJARA, JAL		
Av. La Paz #1779 - Col. Americana Sector Juárez		(33) 3825 6978
MEXICO, D.F.		
Eje Central Lázaro Cárdenas No. 18		
Local D, Col. Obrera		(55) 5588 9377
MERIDA, YUC		
Calle 63 #459-A - Col. Centro		(999) 928 5038
MONTERREY, N.L.		
Av. Francisco I. Madero No.831 - Col. Centro		(81) 8375 2313
PUEBLA, PUE		
17 Norte #205 - Col. Centro		(222) 246 3714

QUERETARO, QRO

Av. Madero 139 Pte. - Col. Centro (442) 214 1660

SAN LUIS POTOSI, SLP

Av. Universidad 1525 - Col. San Luis (444) 814 2383

TORREON, COAH

Blvd. Independencia, 96 Pte. - Col. Centro (871) 716 5265

VERACRUZ, VER

Prolongación Díaz Mirón #4280 - Col. Remes (229) 921 7016

VILLAHERMOSA, TAB

Constitución 516-A - Col. Centro (993) 312 5111

PARA OTRAS LOCALIDADES LLAME AL: (55) 5326 7100**Póliza de Garantía**

IDENTIFICACIÓN DEL PRODUCTO:

Sello o firma del Distribuidor:

Nombre del producto: _____ Mod./Cat.: _____

Marca: _____ Núm. de serie: _____

(Datos para ser llenados por el distribuidor)

Fecha de compra y/o entrega del producto: _____

Nombre y domicilio del distribuidor donde se adquirió el producto: _____

Este producto está garantizado por un año a partir de la fecha de entrega, contra cualquier defecto en su funcionamiento, así como en materiales y mano de obra empleados para su fabricación. Nuestra garantía incluye la reparación o reposición del producto y/o componentes sin cargo alguno para el cliente, incluyendo mano de obra, así como los gastos de transportación razonablemente erogados derivados del cumplimiento de este certificado.

Para hacer efectiva esta garantía deberá presentar su herramienta y esta póliza sellada por el establecimiento comercial donde se adquirió el producto, de no contar con ésta, bastará la factura de compra.

EXCEPCIONES.

Esta garantía no será válida en los siguientes casos:

- Cuando el producto se hubiese utilizado en condiciones distintas a las normales;
- Cuando el producto no hubiese sido operado de acuerdo con el instructivo de uso que se acompaña;
- Cuando el producto hubiese sido alterado o reparado por personas distintas a las enlistadas al final de este certificado.

Anexo encontrará una relación de sucursales de servicio de fábrica, centros de servicio autorizados y franquiciados en la República Mexicana, donde podrá hacer efectiva su garantía y adquirir partes, refacciones y accesorios originales.

Garantía limitada de tres años

DEWALT reparará sin cargo cualquier defecto ocasionado por materiales defectuosos o mano de obra, durante tres años a partir de la fecha de compra. Esta garantía no cubre fallas en las piezas que resulten del desgaste normal de la herramienta o de su utilización inadecuada. Para obtener información detallada sobre la cobertura de la garantía y sobre reparaciones, visite nuestra página Web www.dewalt.com o llame al 1-800-4-DEWALT (1-800-433-9258). Esta garantía no se extiende a los accesorios o a los daños causados por terceros al intentar realizar reparaciones. Esta garantía le concede derechos legales específicos; usted goza también de otros derechos que varían según el estado o provincia.

Además de la garantía, las herramientas DEWALT están cubiertas por nuestro:

SERVICIO GRATUITO DE 1 AÑO

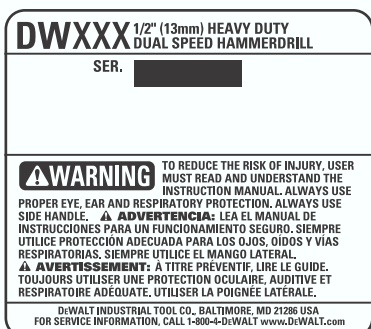
DEWALT realiza el mantenimiento de la herramienta y reemplaza las piezas gastadas tras el uso normal, sin costo alguno, en cualquier momento durante el primer año después de la compra.

GARANTÍA DE REEMBOLSO DE DINERO DE 90 DÍAS

Si por alguna razón no estuviera plenamente satisfecho con el rendimiento de la herramienta eléctrica, el láser o la clavadora DEWALT, puede devolver el producto dentro de los 90 días siguientes a la fecha de compra acompañado del recibo. De esta manera, se le reintegrará el importe total del producto sin formularle pregunta alguna.

AMÉRICA LATINA: esta garantía no se aplica a los productos que se venden en América Latina. Para los productos que se venden en América Latina, debe consultar la información de la garantía específica del país que viene en el empaque, llamar a la compañía local o visitar el sitio Web a fin de obtener esa información.

REEMPLAZO GRATUITO DE LAS ETIQUETAS DE ADVERTENCIA: si sus etiquetas de advertencia se tornan ilegibles o faltan, llame al 1-800-4-DEWALT para que se las reemplacen gratuitamente.

**ESPECIFICACIONES**

	DW505	DW520
Tensión de alimentación:	120 V AC ~	120 V AC ~
Consumo de corriente:	7,8 A	8,2 A
Frecuencia de alimentación:	50-60 Hz	50-60 Hz
Potencia nominal:	650 W	850 W
Rotación sin carga:	0-1 1 00 / 0-2 700 rpm	0-1 100 / 0-2 700 rpm
Golpes por minuto	0-19 000 / 0-46 000 gpm	0-19 000 / 0-46 000 gpm

IMPORTADOR: DEWALT S.A. DE C.V.
 BOSQUES DE CIDROS ACCESO RADIATAS NO. 42
 COL. BOSQUES DE LAS LOMAS, 3A. SECCIÓN, CP 05120
 DELEGACIÓN CUAJIMALPA, MÉXICO, D.F.
 TEL. 5 326 7100
 R.F.C.: BDE810626-1W7

Para servicio y ventas consulte
 "HERRAMIENTAS ELÉCTRICAS"
 en la sección amarilla.

